



# USHA

PRECISION PRODUCTS  
PVT. LTD.



Committed to Quality





## EXPORTS ACROSS THE GLOBE



## QUALITY ASSURANCES

Usha Precision Products Pvt. Ltd. is an IATF16949, ISO9001 and ISO14001 certified company. For us, quality is a never ending process.



## USHA PRECISION PRODUCTS PVT. LTD.

Usha Precision Products Pvt. Ltd. is IATF16949, ISO9001 and ISO14001 certified company specialized in manufacturing and export of 100% customized Micro Precision wire products in large quantities from Stainless Steel and Steel (S10C/SWCH12A) in diameter range 0.35 to 6.00 mm. Product Range includes:

- Pins, Shafts and Piston Rods
- Cold forged Rivets

Promoters of this company have rich experience of over 50 years in field of high precision manufacturing of micro components. We manufacture these components in large volumes and supply to over 150 customers of various engineering industries. We are awarded 'Zero Defect' and 'Direct On-Line' supplier by most of our customers.

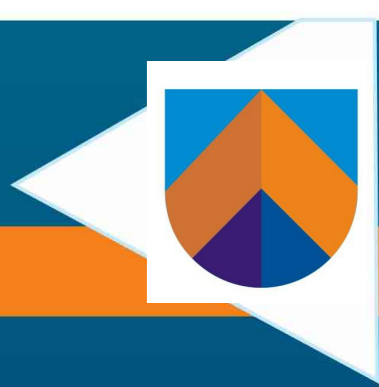
## GROUP COMPANY



UT Corp is our group company involved in 100% exports of Micro Precision Engineering components to customers all over the world.







## PINS, SHAFTS AND PISTON RODS

### PINS & SHAFTS

Usha Precision Products Pvt. Ltd. is a renowned manufacturer and exporter of miniature precision turned and ground wire products. With production of more than 4.0 million components per day, its quality is widely appreciated by all customers around the world.

#### Product Types

- |            |             |
|------------|-------------|
| Pins       | Shafts      |
| Dowel Pins | Pivots      |
| Spindles   | Motor Shaft |
| Needles    | U-Pin       |
| Axis       | Rotor Shaft |
| Achse      | Piston Rods |
| Axle       | Mils        |

#### Dimension

Diameter	0.35 ~ 6.0 mm
----------	---------------

100% customized parts as per customer's specifications

#### Raw Material

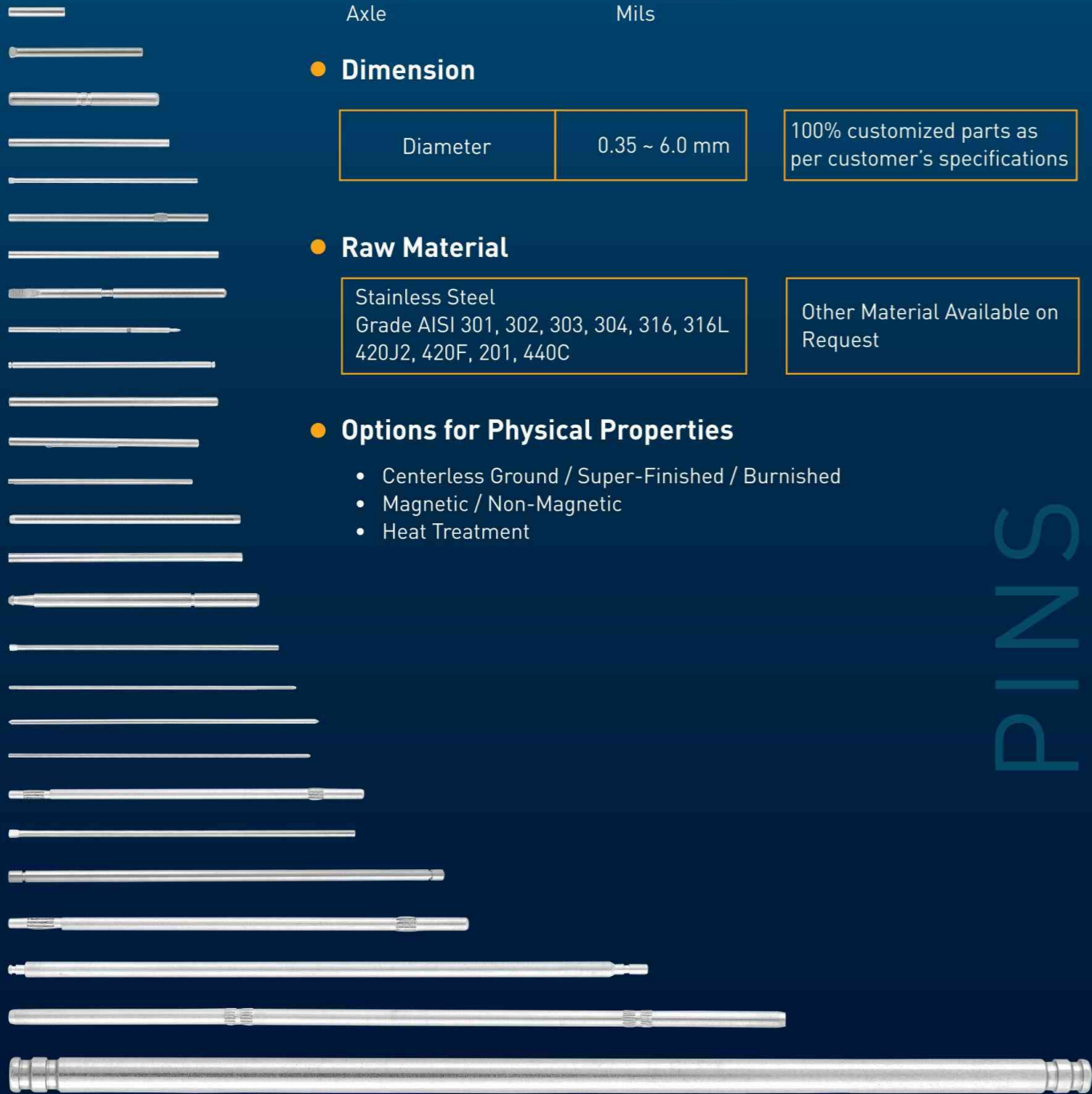
Stainless Steel  
Grade AISI 301, 302, 303, 304, 316, 316L  
420J2, 420F, 201, 440C

Other Material Available on Request

#### Options for Physical Properties

- Centerless Ground / Super-Finished / Burnished
- Magnetic / Non-Magnetic
- Heat Treatment

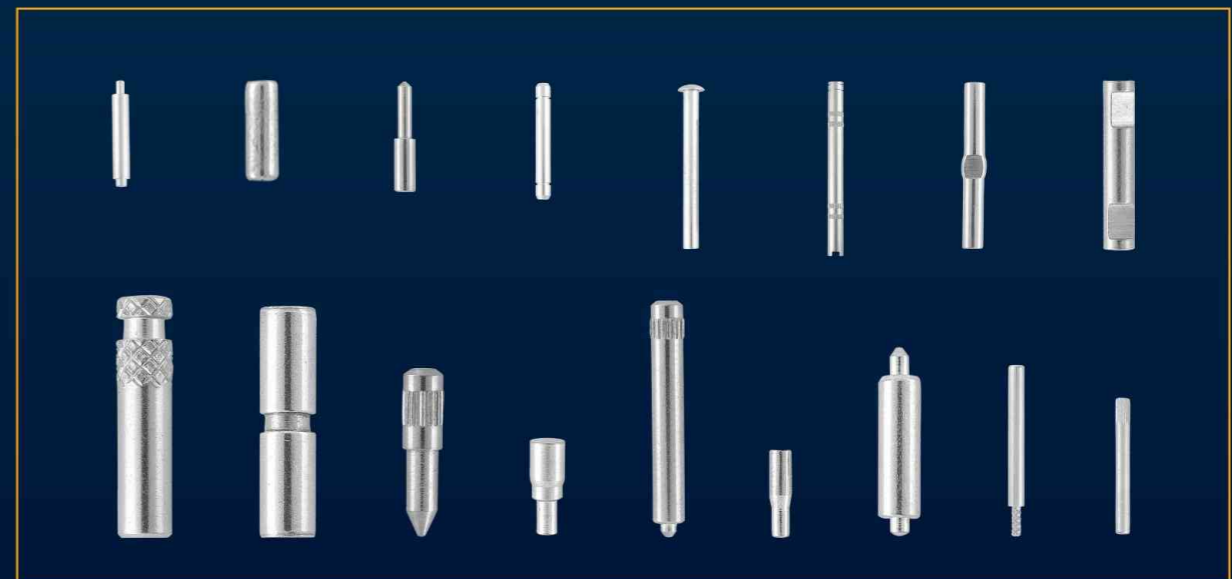
# PINS



### PISTON RODS



# PISTON





## RIVETS

We manufacture high quality solid and semi-tubular precision rivets in large quantities from Stainless Steel and Steel (grade S10C/SWCH12A)

### DIMENSIONS

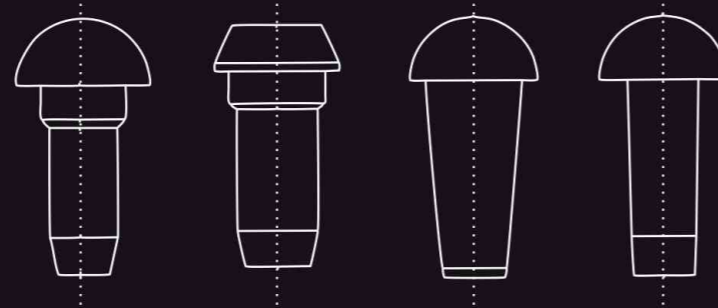
Rivets

Shank Diameter — 1.0 to 5.0 mm

Shank Length — 2.0 mm to 100 mm

Shapes - As per customer's specifications.

### Rivet Shape Example



RIVETS

## OUR VALUES

**Openness, Trust and Integrity** – We set the highest ethical and professional standards at all times. We want all our relationships to be based on honesty, respect, fairness and a commitment to open dialogue and transparency.

**Passion for Quality** – We are passionate about delivering superior products and service and take pride in achieving this. We look to replicate success, learn from mistakes and develop the ideas, innovation and practices that will help us improve and lead our market.

**Win Through Teamwork** – We encourage individual ownership, but work as a team. We value the expertise, individuality and contribution of all colleagues, working in support of each other and readily sharing good practice, in pursuit of shared goals.

**Responsibility** – We take responsibility for our actions. Every day, everywhere we look to make a positive contribution to the health and well being of our customers, the communities we work in and the world we live in.

**Can-do Safely** – We take a positive and commercially aware “can-do” approach to the opportunities and challenges we face.







Plant 1



Plant 2



Plant 3



Plant 4

## GROUP COMPANIES



**USHA**  
PRECISION PRODUCTS  
PVT. LTD.

**UT CORP**



**Head office:** S-1, Kamal Apartment-1,  
Bani Park, Jaipur-302006 India  
**Factory:** E-109, Road No. 8,  
V.K.I. Area, Jaipur - 302013, India



Tel.: + 91-141-2202944  
+91-141-2201554  
Fax: +91-141-2202157



email: [upe@ushaprecision.com](mailto:upe@ushaprecision.com)  
website: [www.ushaprecision.com](http://www.ushaprecision.com)